

## Plas-Tight 45° Pozi Countersunk Head

Part No.	Thread	D1	K	C	Recess
20202 25**	2.5	4.40	1.30	2.55	1
20202 30**	3	5.50	1.50	3.05	1
20202 35**	3.5	6.30	1.65	3.55	1
20202 40**	4	7.35	1.90	4.06	2
20202 50**	5	8.40	2.20	5.06	2
20202 60**	6	10.00	2.50	6.06	2

Legend	
*	Usually Available from Stock
**	Non-preferred (Possible Lead Times)
***	Special Order Only

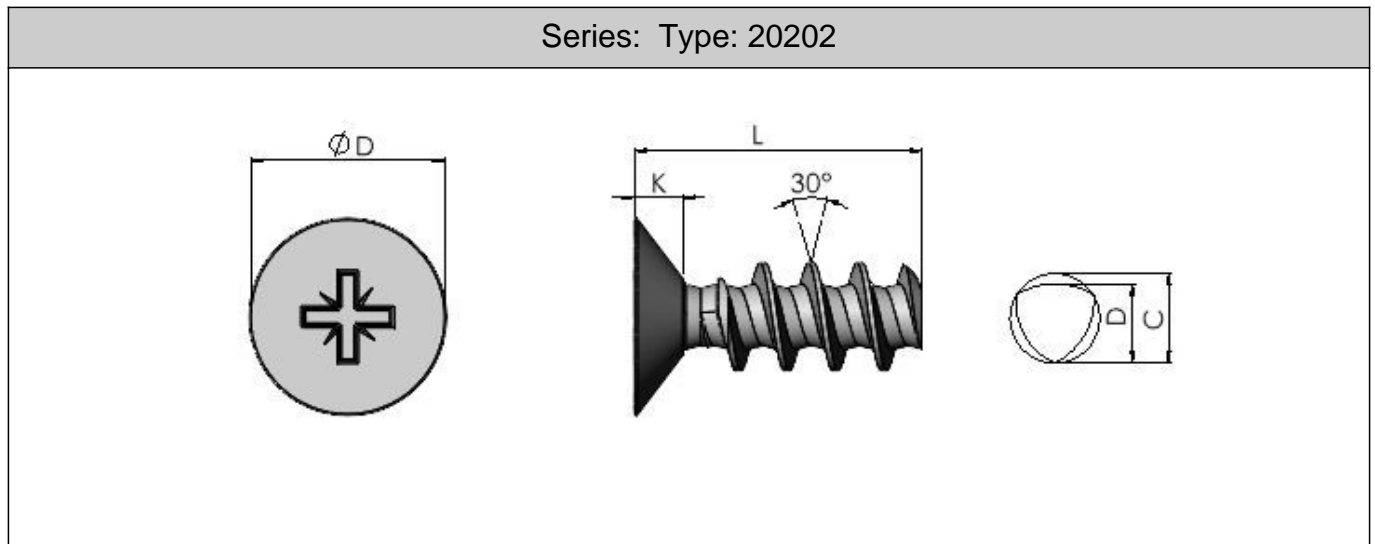
Thread/Length	4	5	6	7	8	10	12	16	20	25	30	35
2.5	***	***	*	***	*	*	***	***	***	***	***	***
3	***	***	*	***	*	*	*	*	*	*	***	***
3.5	***	***	*	***	*	*	*	*	*	***	***	***
4	***	***	***	***	*	*	*	*	*	*	***	***
5	***	***	***	***	***	*	*	*	*	*	*	***
6	***	***	***	***	***	***	***	**	**	**	***	***

Plas-Tight 45° Screws are a Metric 3-Lobe Bodied Screw that encompass a 45° thread profile which allows deep thread penetration into the plastic material. The 3-lobe body allows displaced material to cold flow back into relief areas which minimises radial stress and

**All information is given for guidance only and designers should satisfy themselves as to the suitability of the specification by requesting samples**



Continued from previous page...



reduces the possibility of failure.

Material: Steel, Stainless Steel A2 (Selected Sizes Only)

Finish: Zinc Plated, Self Colour

For the part number replace \*\* with the required length found in the tables below:

---

**All information is given for guidance only and designers should satisfy themselves as to the suitability of the specification by requesting samples**