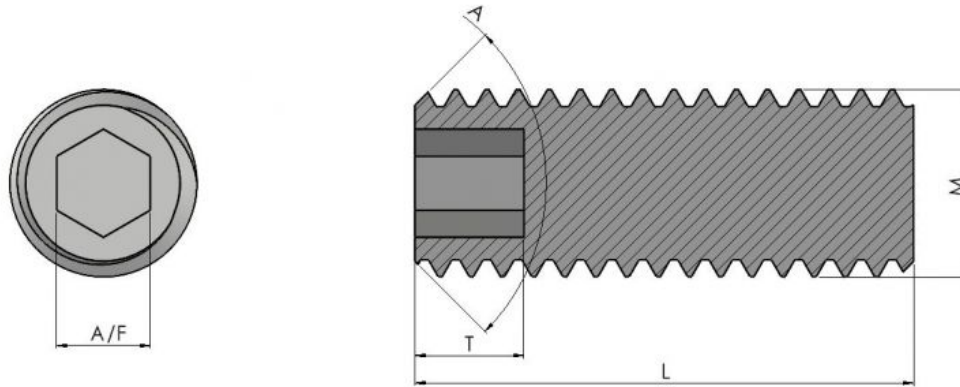




Series: 11701 FP Type: - DIN 913



## Hexagon Socket Set Flat Point

| Part No.      | Thread | X  | Y  | T when L<X | T when L>Y | Angle when L<X | Angle when L>Y | A/F  | D     |
|---------------|--------|----|----|------------|------------|----------------|----------------|------|-------|
| 11701 030**FP | M3     | 3  | 4  | 1.20       | 2.00       | 120            | 90             | 1.50 | 2.00  |
| 11701 040**FP | M4     | 4  | 5  | 1.50       | 2.50       | 120            | 90             | 2.00 | 2.50  |
| 11701 050**FP | M5     | 5  | 6  | 2.00       | 3.00       | 120            | 90             | 2.50 | 3.50  |
| 11701 060**FP | M6     | 6  | 8  | 2.00       | 3.50       | 120            | 90             | 3.00 | 4.00  |
| 11701 080**FP | M8     | 8  | 10 | 3.00       | 5.00       | 120            | 90             | 4.00 | 5.50  |
| 11701 100**FP | M10    | 10 | 12 | 4.00       | 6.00       | 120            | 90             | 5.00 | 7.00  |
| 11701 120**FP | M12    | 12 | 14 | 4.80       | 8.00       | 120            | 90             | 6.00 | 8.50  |
| 11701 160**FP | M16    | 16 | 20 | 6.40       | 10.00      | 120            | 90             | 8.00 | 12.00 |

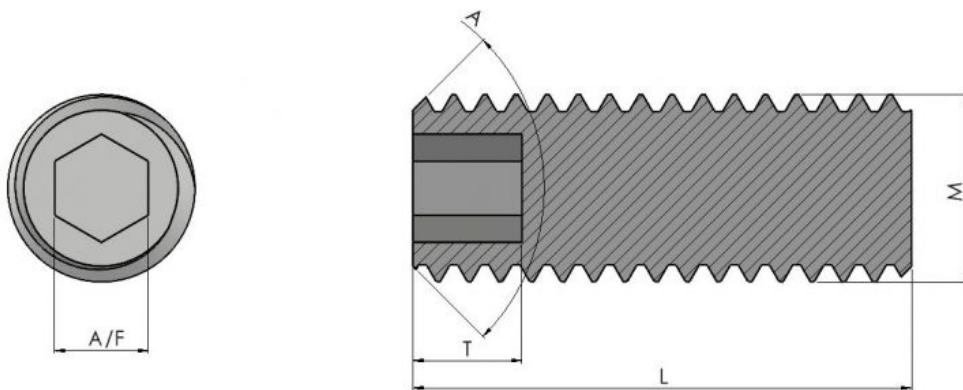
| Legend |                                     |
|--------|-------------------------------------|
| *      | Usually Available from Stock        |
| **     | Non-preferred (Possible Lead Times) |
| ***    | Special Order Only                  |

| Thread/Length | 3   | 4   | 5   | 6   | 8   | 10  | 12  | 14  | 16 | 20 | 25 | 30  | 35  | 40  | 45  | 50  | 60  |
|---------------|-----|-----|-----|-----|-----|-----|-----|-----|----|----|----|-----|-----|-----|-----|-----|-----|
| M3            | *   | *   | *   | *   | *   | *   | *   | *   | *  | *  | *  | *** | *** | *** | *** | *** | *** |
| M4            | *** | *   | *   | *   | *   | *   | *   | *   | *  | *  | *  | *** | *** | *** | *** | *** | *** |
| M5            | *** | *** | *   | *   | *   | *   | *   | *** | *  | *  | *  | *   | *** | *** | *** | *** | *** |
| M6            | *** | *** | *   | *   | *   | *   | *   | *** | *  | *  | *  | *   | *   | *   | *   | *   | *** |
| M8            | *** | *** | *** | *** | *   | *   | *   | *** | *  | *  | *  | *   | *   | *   | *   | *   | *** |
| M10           | *** | *** | *** | *** | *** | *   | *   | *** | *  | *  | *  | *   | *   | *   | *   | *** | *   |
| M12           | *** | *** | *** | *** | *** | *** | *   | *** | *  | *  | *  | *   | *   | *   | *   | *   | *   |
| M16           | *** | *** | *** | *** | *** | *** | *** | *** | *  | *  | *  | *   | *   | *   | *** | *   | *   |



Continued from previous page...

Series: 11701 FP Type: - DIN 913



Material/Finish/Finish Code:

Steel - Self Colour - 00Steel - Zinc Plated - 60Stainless Steel A2 - Self Colour - SSStainless  
Steel A4 - Self Colour - A4

Part Number ID:

Part No/Thread Length/grade/Finish CodeEg: 11701 06016FP 60: M6 x 16 Zinc Clear

---

**All information is given for guidance only and designers should satisfy themselves as to the suitability of the specification by requesting samples**