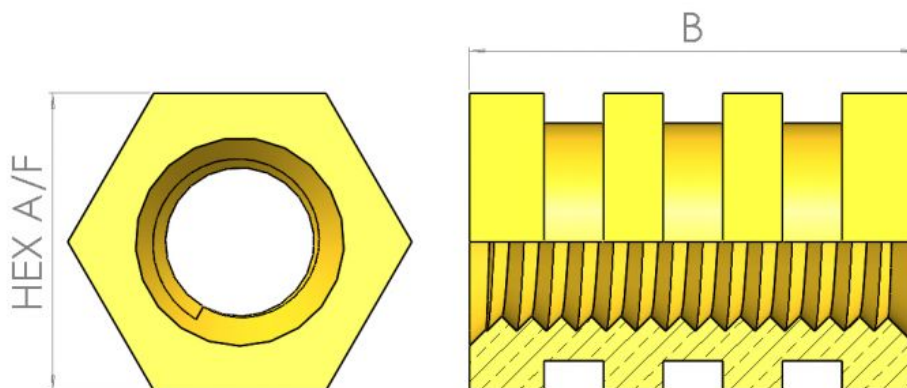




Series: 20109 Type: HXT



Hexagon Moldcert Through

Part No.	Thread M	Hex. Size A/F	Overall Length
HXT030905	M3	5mm	8.5mm
HXT040906	M4	6mm	8.5mm
HXT041506	M4	6mm	15mm
HXT050908	M5	8mm	8.5mm
HXT051908	M5	8mm	19mm
HXT061510	M6	10mm	15mm
HXT061910	M6	10mm	19mm
HXT081912	M8	12mm	19mm
HXT101914	M10	14mm	19mm
HXT121914	M12	14mm	19mm
HXT141916	M14	16mm	19mm
HXT161918	M16	18mm	19mm

HXT Moldcerts are suitable for over moulding into all types of plastic material during the moulding cycle. They are available with blind or through threads (HXB or HXT). The hexagon body gives very high torque resistance even in soft materials. Specials also available subject to MOQ and leadtimes.

Material and Finish: Brass Self Colour Stainless Steel 303 (code SS) Special Order Only

All information is given for guidance only and designers should satisfy themselves as to the suitability of the specification by requesting samples