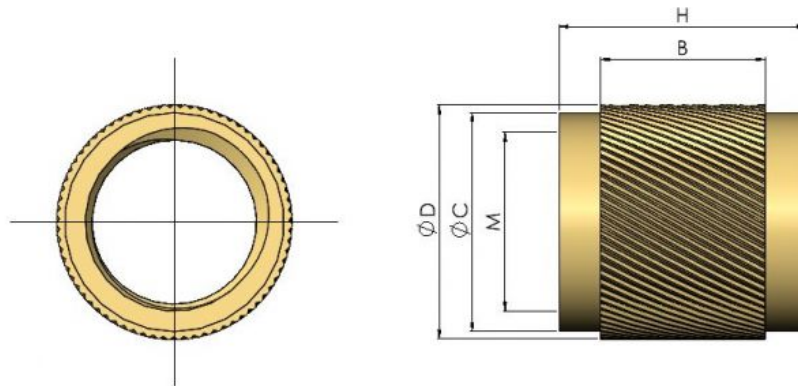




Series: 20126 Type: HK



Heatstake / Press In Insert

Part No.	Thread M	Height H	Outer Diam D	Lead Diam C	Nominal B
HK030H050	M3	5.00	4.30	4.00	3.50
HK035H065	M3.5	6.40	5.00	4.40	5.00
HK040H053	M4	5.33	6.60	5.90	3.70
HK050H065	M5	6.50	8.00	6.50	5.00
HK060H070	M6	7.00	8.50	7.50	5.50

HK Helix knurled inserts allow insertion into all types of plastic. The fine Helix Knurl allows ease of assembly regardless of the method of installation, whether hot or cold, without creating undue stresses. The compact body dimensions make them ideal for applications where space is limited and are commonly used in the domestic electrical market for plug sockets and light switches. The symmetrical body also speeds up installation for high volume applications. Materials and Finish:- Brass Self Colour To Specify Use: Series No / Part No (eg 20126 HK035H065)

All information is given for guidance only and designers should satisfy themselves as to the suitability of the specification by requesting samples