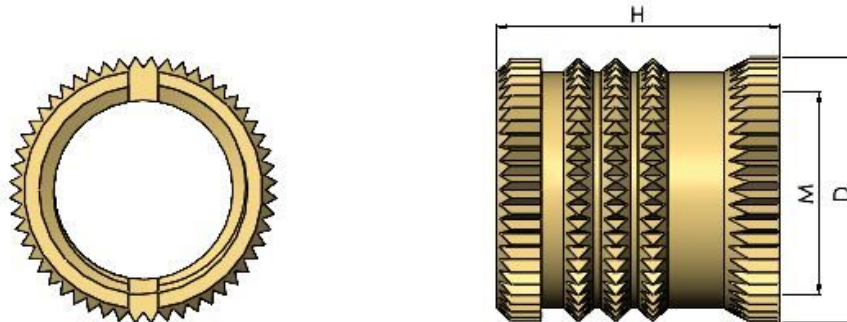




Series: 20133 Type: TRB



Expansion Inserts

Part No.	Thread M	Length H	Outer Diam D	Hole Diam.d	Hole Depth P
TRB040H080	M4	8.0	6.0	5.0	9.0
TRB050H080	M5	8.0	7.0	6.0	9.0
TRB060H095	M6	9.5	9.0	8.0	11.0
TRB080H100	M8	10.0	10.0	9.0	11.0
TRB100H130	M10	13.0	12.0	11.0	14.0

TRB Expansion Inserts are ideal for hardwood and also hardcore laminates. The inserts are pressed into a pre-drilled hole and are expanded when the screw is engaged. This causes the sharp knurled profile to bite into the substrate material resulting in excellent pullout performance. Material:- Brass To Specify Use : Part No (eg TRB060H095)

All information is given for guidance only and designers should satisfy themselves as to the suitability of the specification by requesting samples