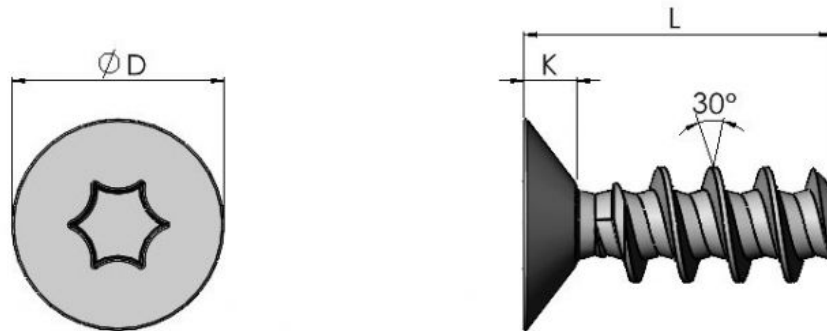




Series: 20210 Type: 1423



### Polyplast 30 Torx Countersunk

Part No.	Thread	D	K	Recess
1423K22**6	2.2	3.80	1.30	T6
1423K25**6	2.5	4.70	1.75	T8
1423K30**6	3	5.50	2.05	T8
1423K35**6	3.5	7.30	2.80	T15
1423K40**6	4	8.40	3.25	T20
1423K50**6	5	9.30	3.40	T20
1423K60**6	6	11.30	3.80	T30

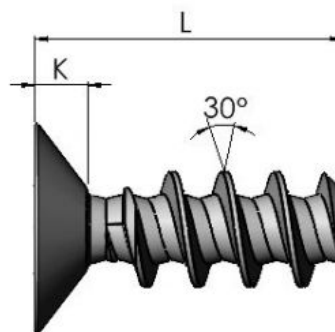
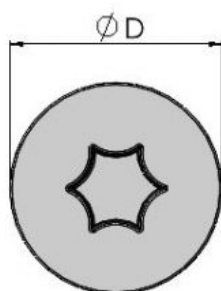
Legend	
*	Usually Available from Stock
**	Non-preferred (Possible Lead Times)
***	Special Order Only

Thread/Length	5	6	8	10	12	14	16	18	20	25	30
2.2	***	*	***	***	***	***	***	***	***	***	***
2.5	***	*	*	*	***	***	***	***	***	***	***
3	***	*	*	*	*	***	*	***	*	***	***
3.5	***	***	***	*	*	***	*	***	*	***	***
4	***	***	***	*	*	***	*	***	*	***	***
5	***	***	***	***	***	***	*	***	*	***	***
6	***	***	***	***	***	***	**	***	**	***	***



Continued from previous page...

Series: 20210 Type: 1423



The 30 deg. Flank angle produces low radial forces when engaging the plastic, therefore resulting in less radial stresses, in other words the hoop stresses in the plastic bosses are less than those experienced with conventional screws. The recessed core geometry provides the ideal flow director for the displaced plastic, encouraging a uniform flow to fill the pitch of the screw without material jamming. This results in the maximum amount of plastic being engaged providing higher shear loads and pull out force.

Material: Steel, Stainless Steel A2 (Selected Sizes Only)

Finish: Zinc Plated, Self Colour

For the part number replace \*\* with the desired length found in the tables below:

---

**All information is given for guidance only and designers should satisfy themselves as to the suitability of the specification by requesting samples**