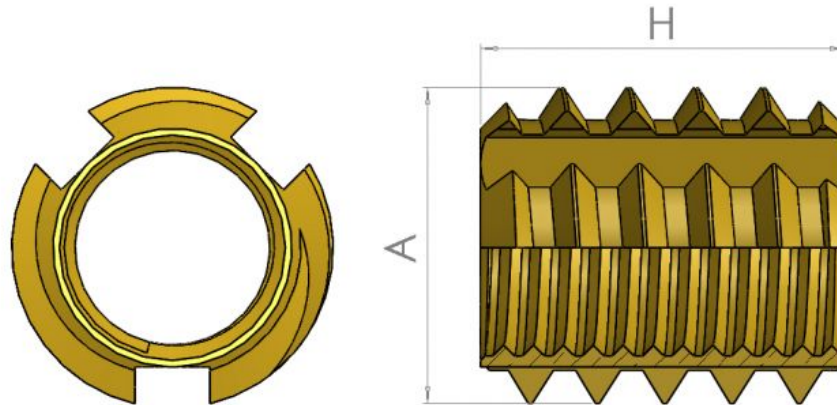




Series: 20105 Type: TC

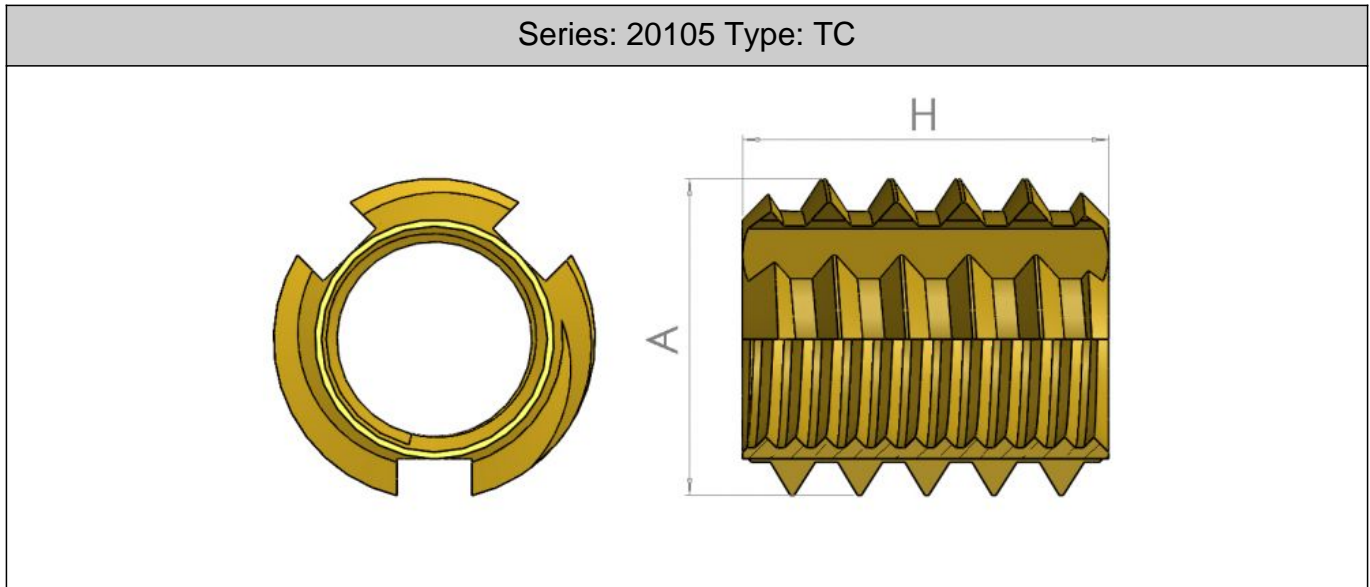


Screw Fit Inserts

Part No.	Thread M	Insert Length H	Ext. diam. A	Pitch P	Hole Diam d	Wall min E	Boss B	Hole depth minP	Style
TC020H040	M2	4.00	3.50	0.79	3.10	1.20	5.50	4.40	SHORT
TC020H048	M2	4.80	3.50	0.79	3.10	1.20	5.50	5.30	STANDARD
TC020H053	M2	5.25	3.50	0.79	3.10	1.20	5.50	5.80	LONG
TC025H040	M2.5	4.00	4.33	1.06	3.80	1.45	6.70	4.40	SHORT
TC025H053	M2.5	5.25	4.33	1.06	3.80	1.45	6.70	5.80	STANDARD
TC025H063	M2.5	6.25	4.33	1.06	3.80	1.45	6.70	6.90	LONG
TC030H040	M3	4.00	4.73	1.06	4.10	1.55	7.20	4.40	SHORT
TC030H053	M3	5.25	4.73	1.06	4.10	1.55	7.20	5.80	STANDARD
TC030H063	M3	6.25	4.73	1.06	4.10	1.55	7.20	6.90	LONG
TC035H050	M3.5	5.00	5.52	1.16	5.00	1.90	8.80	5.50	SHORT
TC035H062	M3.5	6.20	5.52	1.16	5.00	1.90	8.80	6.90	STANDARD
TC035H073	M3.5	7.30	5.52	1.16	5.00	1.90	8.80	8.10	LONG
TC040H056	M4	5.60	6.31	1.26	5.80	2.20	10.20	6.20	SHORT
TC040H071	M4	7.10	6.31	1.26	5.80	2.20	10.20	7.80	STANDARD
TC040H084	M4	8.40	6.31	1.26	5.80	2.20	10.20	9.30	LONG
TC050H064	M5	6.40	7.50	1.40	6.90	2.60	12.10	7.10	SHORT
TC050H084	M5	8.40	7.50	1.40	6.90	2.60	12.10	9.30	STANDARD
TC050H100	M5	10.0	7.50	1.40	6.90	2.60	12.10	11.0	LONG
TC060H079	M6	7.90	8.69	1.60	8.00	3.00	14.00	8.70	SHORT
TC060H098	M6	9.80	8.69	1.60	8.00	3.00	14.00	10.8	STANDARD
TC060H120	M6	12.0	8.69	1.60	8.00	3.00	14.00	13.2	LONG
TC080H095	M8	9.50	11.06	1.96	10.1	3.80	17.70	10.5	SHORT
TC080H124	M8	12.4	11.06	1.96	10.1	3.80	17.70	13.7	STANDARD
TC080H150	M8	15.0	11.06	1.96	10.1	3.80	17.70	16.5	LONG



Continued from previous page...



TC100H120	M10	12.0	13.95	1.96	13.0	4.90	22.80	13.2	SHORT
TC100H160	M10	16.0	13.95	1.96	13.0	4.90	22.80	17.6	STANDARD
TC100H180	M10	18.0	13.95	1.96	13.0	4.90	22.80	19.8	LONG

The TC self tapping inserts have cutting flutes on the body diameter allowing them to cut into the boss material. These inserts are very quick to install making them popular for high volume applications. The symmetrical body eliminates the need to orientate the insert on the driver. They are available in three standard lengths to suit your application. Special lengths can also be made to order. Material and Finish: Brass Self Colour To Specify Use: Series No / Part No (eg 20105 TC050H100)

All information is given for guidance only and designers should satisfy themselves as to the suitability of the specification by requesting samples