

Tank Rivet Bushes

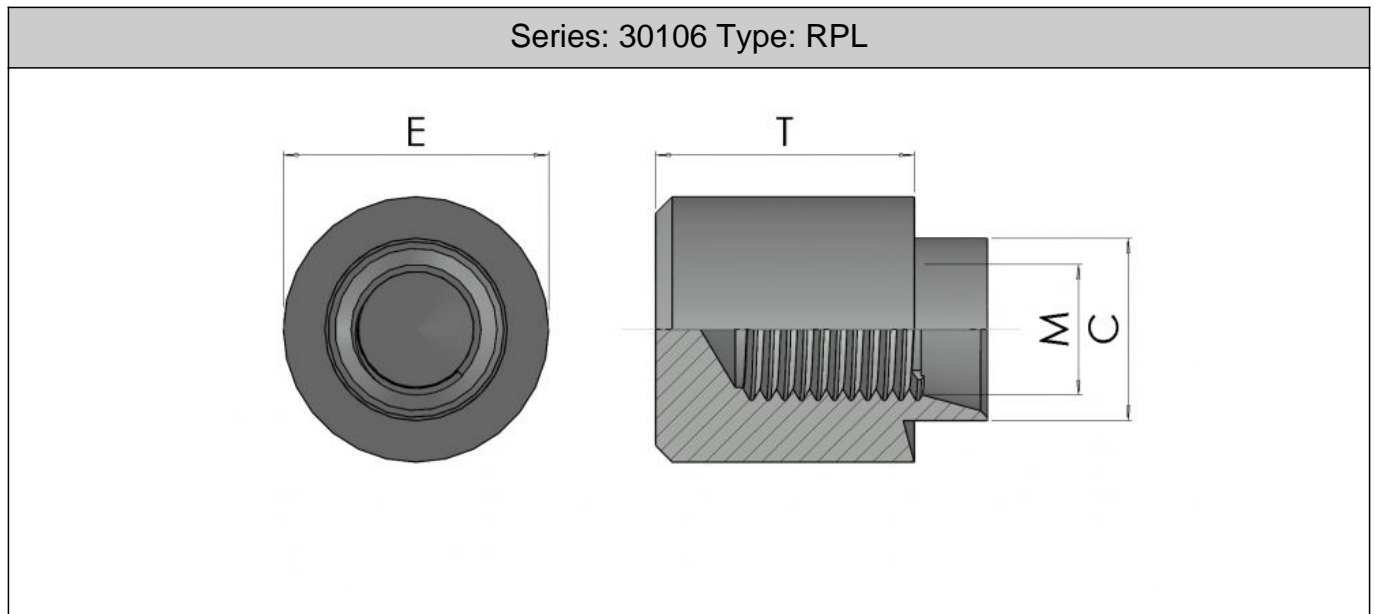
Part No.	Thread	Hole Size+0.5-0	O/D E +/- 0.13	Body T+/-0.13	Skirt C/+0-0.13
M3??RPL	M3	5.54	7.92	8.61	5.54
M3.5??RPL	M3.5	6.73	9.52	8.97	6.73
M4??RPL	M4	6.73	9.52	8.97	6.73
M5??RPL	M5	7.92	11.10	9.32	7.92
M6??RPL	M6	9.52	12.70	10.57	9.52
M8??RPL	M8	12.70	15.87	11.89	12.70
M10??RPL	M10	15.87	19.05	16.50	15.87
M12??RPL	M12	19.05	25.40	19.05	19.05

Legend	
*	Usually Available from Stock
**	Non-preferred (Possible Lead Times)
***	Special Order Only

SWG/MM	M3	M3.5	M4	M5	M6	M8	M10	M12
10G/3.0	**	**	**	**	**	**	**	**
12G/2.5	**	**	**	*	*	*	*	**
14G/2.0	**	**	*	*	*	*	*	**
16G/1.6	*	**	*	*	*	*	**	**
18G/1.2	*	**	*	*	*	*	**	***
20G/1.0	*	**	**	**	**	**	***	***



Continued from previous page...



Tank Bushes are rivet bushes with sealed or closed ends for use in tanks or other applications where a sealed thread is required. The plain undercut means a water tight seal is formed when the part is riveted into the sheet metal. Materials & Finishes:-Steel Self Colour (Code 2) Steel Trivalent Zinc (Code 26) 303 Stainless Steel (Code SS)

Preferred Sizes

All information is given for guidance only and designers should satisfy themselves as to the suitability of the specification by requesting samples