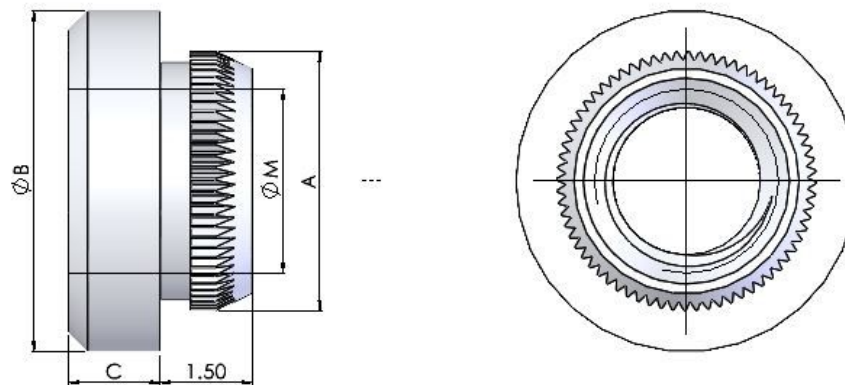




Series: 30305 Type: CBF



## Broaching Nut For PCB

Part No.	Thread M	Suitable Sheet	Body Diam B	Body Depth C	Lead Diam. A	Hole Size P	Min dim.X
CBF2 M2.5	M2.5	1.6	5.56	1.5	4.68	4.2	4.5
CBF2 M3	M3	1.6	5.56	1.5	4.68	4.2	4.4
CBF2 M4	M4	1.6	8.74	2.0	6.81	6.4	6.4
CBF2 M5	M5	1.6	9.53	3.0	7.37	6.9	7.1

Broaching nuts are for use in Printed Circuit Boards or thin sheet materials softer than RB-65. The broaching action during installation provides excellent retention in the board allowing other components to be fastened securely. Materials and Finish:-Steel Electro Tin Stainless Steel Self Colour (code CBFS2)

**All information is given for guidance only and designers should satisfy themselves as to the suitability of the specification by requesting samples**