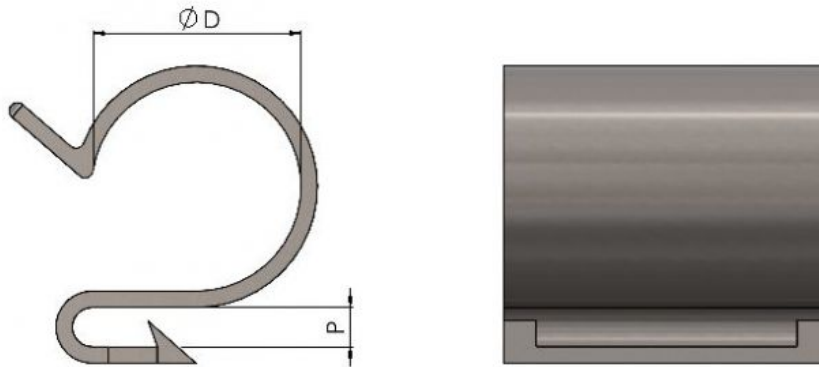




Series: 40504 Type: CEC



Cable Edge Clips

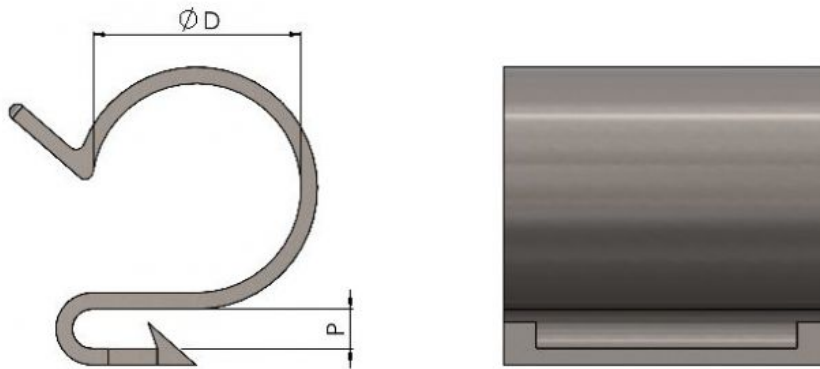
Part No.	D	Panel Range
16240	3.2	0.6-1.2
16120	4.8	0.6-1.2
35090	4.8	0.8-1.1
16110	4.8	1.7-2.6
17830	4.8	1.8-2.8
24010	5.6	0.7-1.6
15540	6.1	0.5-1.2
22810	6.2	1.7-2.3
41600	6.3	0.5-1.1
29510	6.5	1.0-1.5
16250	6.4	0.6-1.2
18520	6.4	4.8-7.1
19270	7.3	0.6-1.2
33190	7.5	0.2-2.0
15060	7.9	1.0-1.6
33880	7.9	3.0-4.4
19280	8.2	1.8-2.4
18590	10.5	1.2-2.0
29090	12.7	1.4-1.9
33610	15.9	1.4-2.0

Cable Edge Clips are robust swiftly located edge clips providing routing for cables close to the edge of panels securely clamping cables and preventing rubbing or cutting of the cable by the sheet. These clips can also be used for pipes and the fact that the pipe or cables can be



Continued from previous page...

Series: 40504 Type: CEC



removed without removal of the clip makes them very useful where service is required.
Material: Spring Steel Finish: Black Phosphate or Trivalent Zinc

All information is given for guidance only and designers should satisfy themselves as to the suitability of the specification by requesting samples