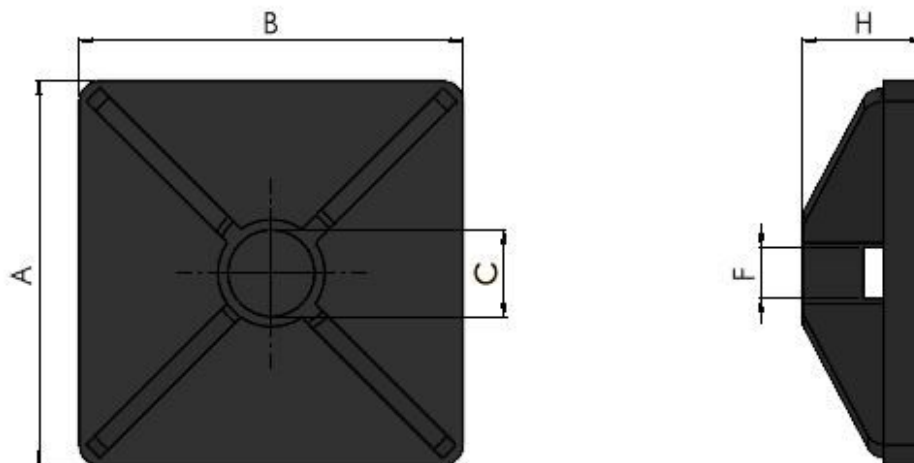




Series: 50211 Type: TB2



## Cable Tie Bases Two Way

Part No.	Colour	Max Tie Width	Dim. A	Dim. B	Dim. C	Dim. F	Dim. H	Adhesive/ Screw	Type
5469	BL	3.6	19.0	19.0	4.3	4.0	6.0	AD	2 WAY
5475	BL	4.8	26.5	26.5	4.3	6.0	8.0	AD	2 WAY
5468	BL	3.6	19.0	19.0	4.3	4.0	6.0	SC	2 WAY
5474	BL	4.8	26.5	26.5	4.3	6.0	8.0	SC	2 WAY
5467	NAT	3.6	19.0	19.0	4.3	4.0	6.0	AD	2 WAY
5473	NAT	4.8	26.5	26.5	4.3	6.0	8.0	AD	2 WAY
5466	NAT	3.6	19.0	19.0	4.3	4.0	6.0	SC	2 WAY
5472	NAT	4.8	26.5	26.5	4.3	6.0	8.0	SC	2 WAY

TB2 Natural Nylon 66 Cable Tie bases are two way tie bases either self adhesive or screw down, used to secure cable ties and therefore cables providing a durable method of routing and securing wire bundles cables or pipes. Their low profile height allows use in the most confined of spaces. R.I.Na. Approval no. 5/206/85. Materials & Colours:-Nylon 66 Black or Natural To Specify Use: Series No / Part No (eg 50211 5467)

**All information is given for guidance only and designers should satisfy themselves as to the suitability of the specification by requesting samples**