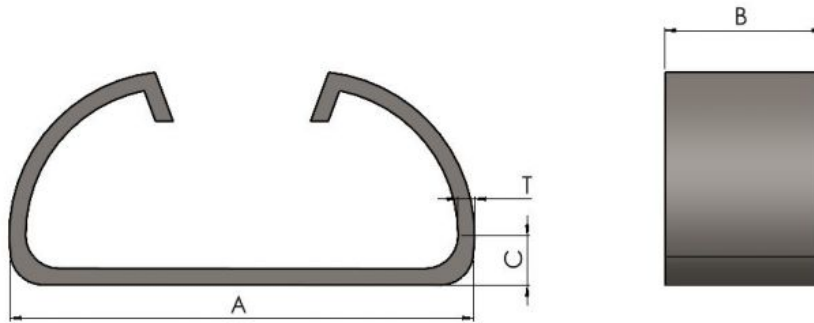




Series: 40506 Type: KCD



D Type Knob Clips

Part No.	Dim A	Dim. B	Dim. C	Dim N	Dim. P	Dim. T	Shaft Dia.	Type
0723	13.7	4.8	1.52	4.22	9.5	0.51	4.75	Std.
0725	16.0	6.3	2.08	5.54	12.7	0.56	6.35	Std
3D	16.0	6.3	2.08	5.54	12.7	0.40	6.35	3 Dim
0727	19.0	9.5	3.04	8.50	20.0	0.61	9.53	1 Dim

D Type Knob Clips provide a retention aid for moulded control knobs. The clip keeps a constant pressure on the boss / hub and the flat engages with the flat on the control knob to stop free rotation. Some parts have dimples to aid retention as shown. Material: Spring Steel Finish Oiled or Trivalent Zinc

All information is given for guidance only and designers should satisfy themselves as to the suitability of the specification by requesting samples