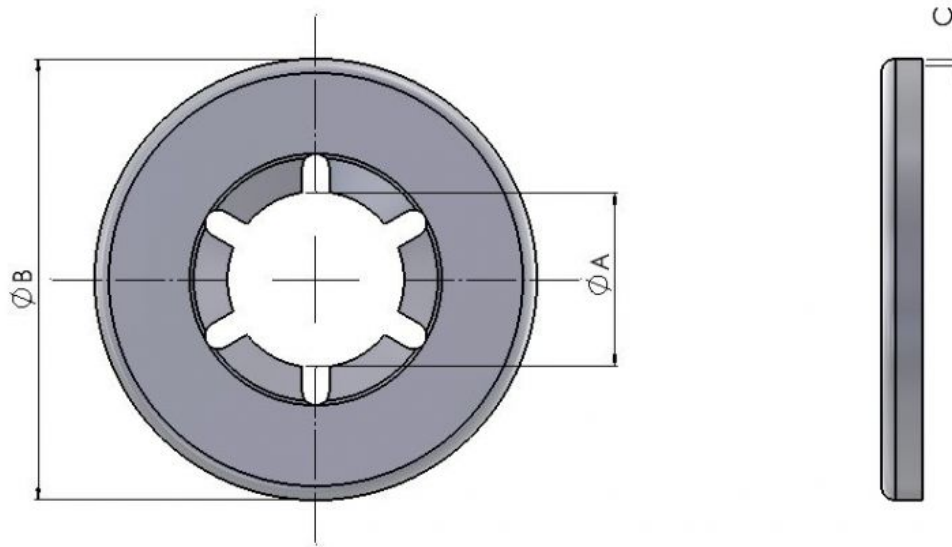




Series: 40401 Type: POF



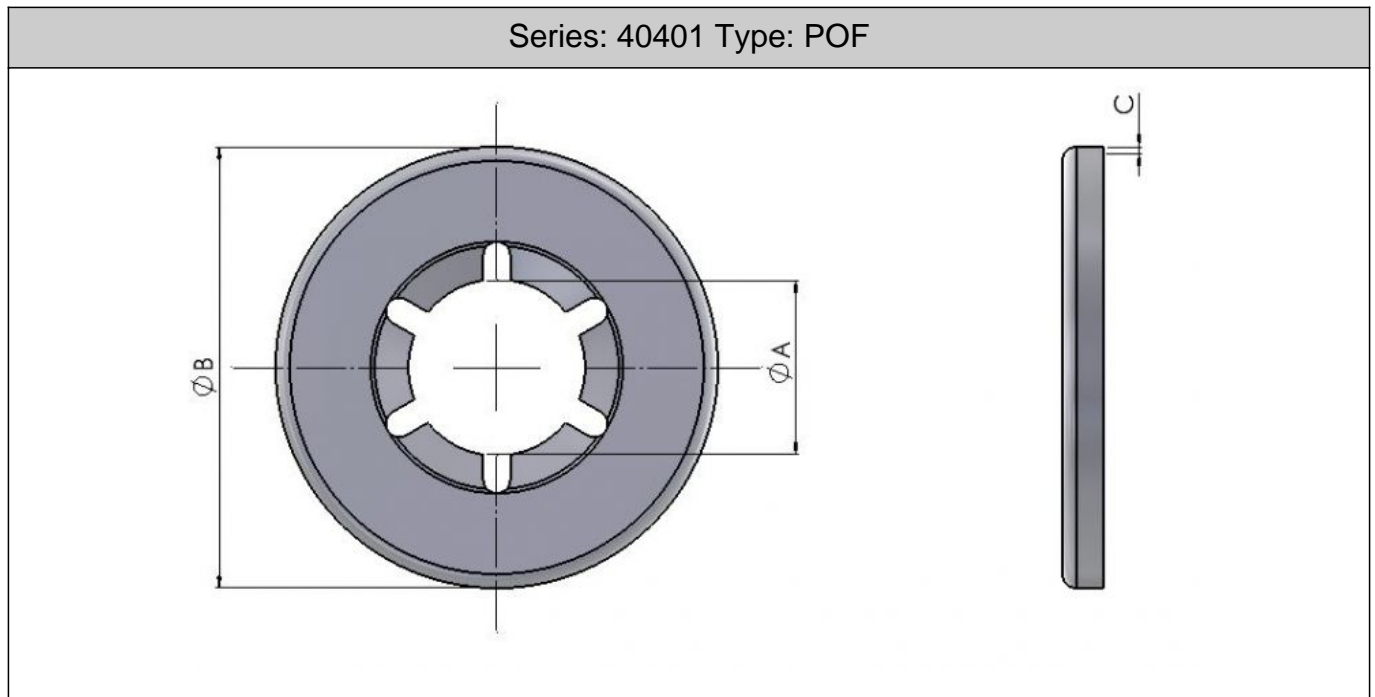
Imperial Round Push on Fix

Part No.	Shaft Size A	Dim B Inch	Dim C Inch
6218	1/16"	.380"	.008"
5883	3/32"	.380"	.008"
5897	1/8"	.380"	.008"
5928	5/32"	.450"	.008"
5920	3/16"	.450"	.008"
6324	7/32"	.450"	.008"
5873	1/4"	.600"	.010"
6326	9/32"	.600"	.010"
5821	5/16"	.600"	.010"
6332	11/32"	.725"	.012"
6020	3/8"	.725"	.012"
6331	13/32"	.725"	.012"
6216	7/16"	.983"	.016"
6143	1/2"	.983"	.016"
6325	17/32"	.983"	.016"
6185	5/8"	.983"	.016"
6322	3/4"	1.437"	.016"
6328	7/8"	1.500"	.018"
6329	1"	1.625"	.020"

Push on fixes provide a strong fixing on round shafts. Common applications are for retaining wheels or bearings but the possibilities are endless. They are also available with caps.



Continued from previous page...



Material: C67S (stainless steel also available to order)
Finish: Clear Laquer (Code 00) or Mechanical Zinc (Code 60)

All information is given for guidance only and designers should satisfy themselves as to the suitability of the specification by requesting samples