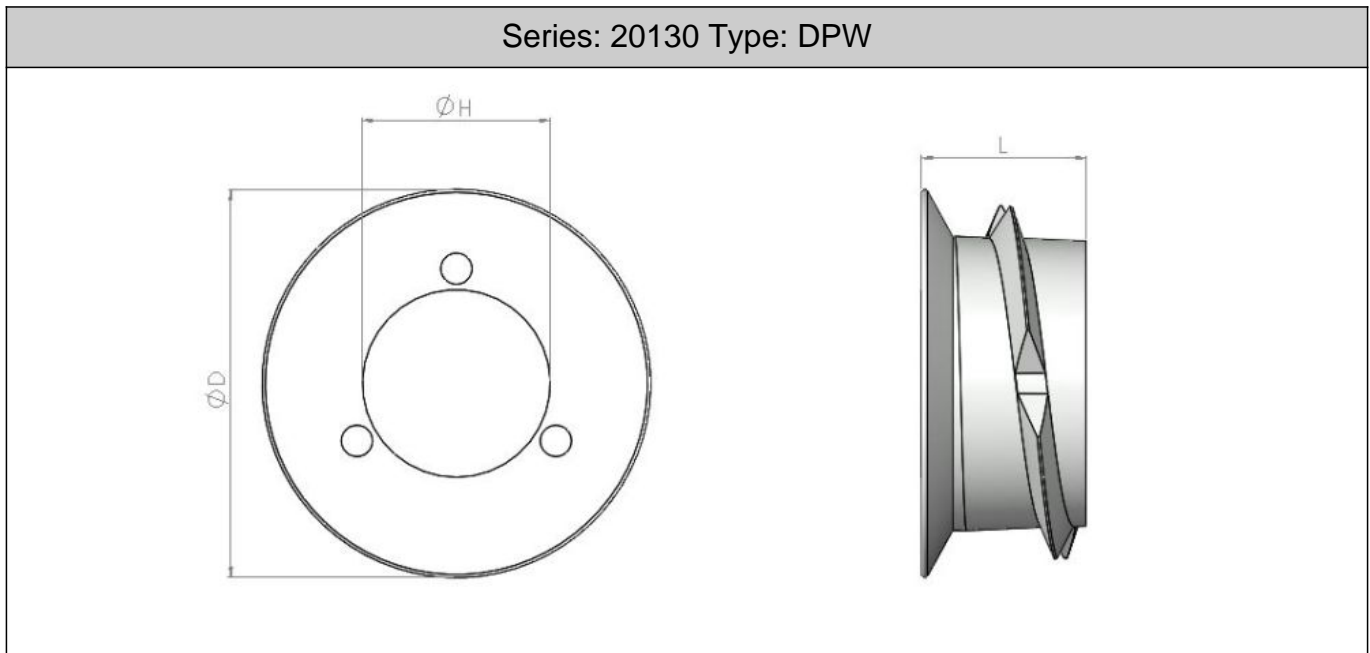




Series: 20130 Type: DPW



Thin Sheet Woodcert

Part No.	Thread	Overall Length	Hole Size	Lead Diam	Head Diam
DPW060H07	M6	7	10.3	10.25	16
DPW050H07	M5	7	10.3	10.25	16

The DPW Type Woodcert is a flanged insert for wood and composites. It has an oversized body to give higher torque loads in thin materials. The insert is part threaded to stop screws from breaking through the panel. Material and Finish:-Zamac zinc plated.

All information is given for guidance only and designers should satisfy themselves as to the suitability of the specification by requesting samples