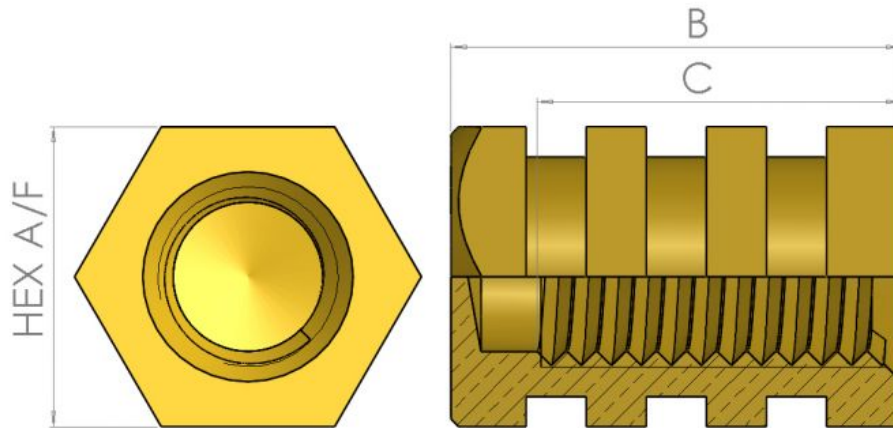




Series: 20109 Type: HXB



Hexagon Moldcert Blind

Part No.	Thread M	Hex. Size A/F	B Overall Length	C Thread Depth
HXB030905	M3	5mm	8.5mm	6mm
HXB040906	M4	6mm	8.5mm	6mm
HXB041506	M4	6mm	15mm	10mm
HXB050908	M5	8mm	8.5mm	6mm
HXB051908	M5	8mm	19mm	15mm
HXB061910	M6	10mm	19mm	15mm
HXB061510	M6	10mm	15mm	11mm
HXB081912	M8	12mm	19mm	15mm
HXB101914	M10	14mm	19mm	15mm
HXB121914	M12	14mm	19mm	15mm
HXB141916	M14	16mm	19mm	15mm
HXB161918	M16	18mm	19mm	15mm

HXB Moldcerts are suitable for over moulding into all types of plastic material during the moulding cycle. They are available with blind or through threads (HXB or HXT). The hexagon body gives very high torque resistance even in soft materials. Specials also available subject to MOQ and leadtimes.

Material and Finish: Brass Self Colour Stainless Steel 303 (code SS) Special Order Only

All information is given for guidance only and designers should satisfy themselves as to the suitability of the specification by requesting samples