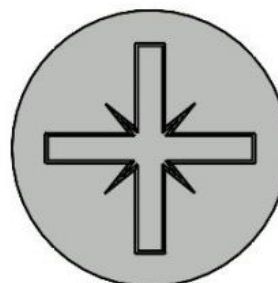
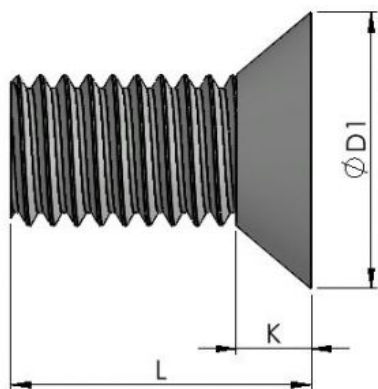




Series: 10701 Type: - DIN 965 Z



Pozi Countersunk Head

Part No.	Thread	D1	K
10701 M16**	M1.6	3.00	0.96
10701 M2**	M2	3.80	1.20
10701 M25**	M2.5	4.70	1.50
10701 M3**	M3	5.60	1.65
10701 M4**	M4	7.50	2.20
10701 M5**	M5	9.20	2.50
10701 M6**	M6	11.00	3.00
10701 M8**	M8	14.50	4.00

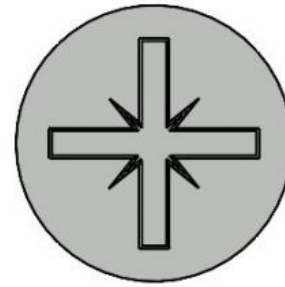
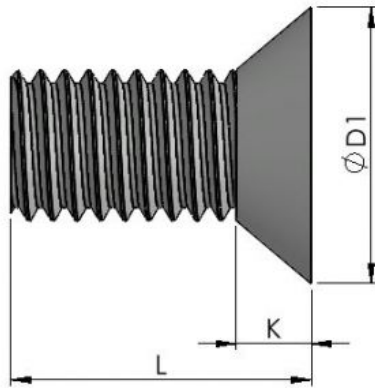
Legend	
*	Usually Available from Stock
**	Non-preferred (Possible Lead Times)
***	Special Order Only

Thread/Length	3	4	5	6	8	10	12	16	20	25	30	35	40	45	50	55	60	70	80	90	100
M1.6	*	*	***	*	***	***	***	***	***	***	***	***	***	***	***	***	***	***	***	***	***
M2	***	*	*	*	*	*	*	*	***	***	***	***	***	***	***	***	***	***	***	***	***
M2.5	***	*	*	*	*	*	*	*	*	*	***	***	***	***	***	***	***	***	***	***	***
M3	***	*	*	*	*	*	*	*	*	*	*	*	*	*	*	***	***	***	***	***	***
M4	***	***	*	*	*	*	*	*	*	*	*	*	*	*	*	*	*	*	*	***	***
M5	***	***	***	*	*	*	*	*	*	*	*	*	*	*	*	*	*	*	*	*	*
M6	***	***	***	***	*	*	*	*	*	*	*	*	*	*	*	***	*	*	*	*	*
M8	***	***	***	***	***	***	*	*	*	*	*	*	*	*	*	***	*	*	*	*	*



Continued from previous page...

Series: 10701 Type: - DIN 965 Z



Machine Screws are round bodied, metric threaded fasteners that can be used either with a nut or with a pre-tapped hole in metal applications.

Material/Finish/Code:

Steel - Zinc Clear - 60Stainless Steel A2 - Self Colour - SSStainless Steel A4 -Self Colour - A4

To get the part number replace ** with the length found in the tables below followed by the finish code:

All information is given for guidance only and designers should satisfy themselves as to the suitability of the specification by requesting samples