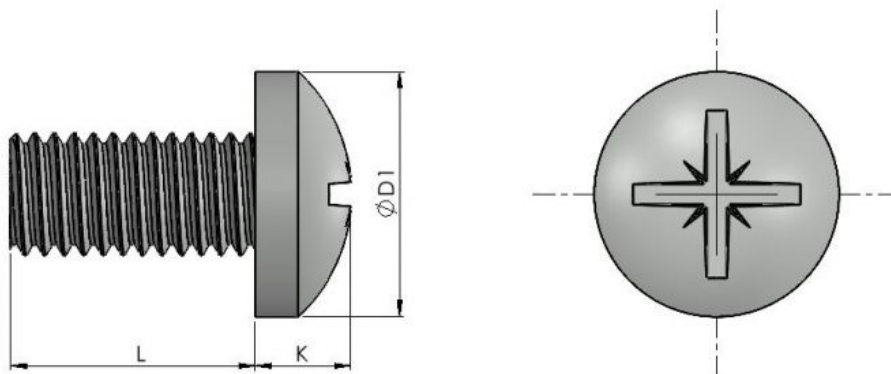




Series: 10703 Type: - DIN 7985 Z



Pozi Pan Head

Part No.	Thread	D1	K
10703 M16**	M1.6	3.20	1.42
10703 M2**	M2	4.00	1.72
10703 M25**	M2.5	5.00	2.12
10703 M3**	M3	6.00	2.52
10703 M35**	M3.5	7.00	2.82
10703 M4**	M4	8.00	3.25
10703 M5**	M5	10.00	3.95
10703 M6**	M6	12.00	4.75
10703 M8**	M8	16.00	6.15

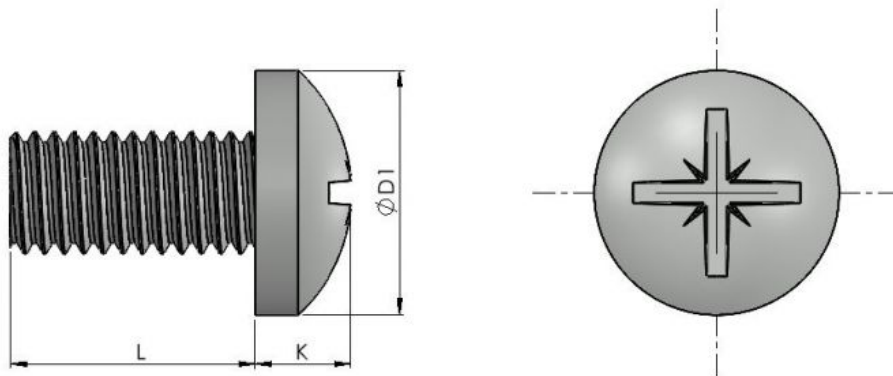
Legend	
*	Usually Available from Stock
**	Non-preferred (Possible Lead Times)
***	Special Order Only

Thread/Length	3	4	5	6	8	10	12	14	16	18	20	22	25	30	35	40	45	50	55	60	70	80	90	100
M1.6	*	*	*	*	*	***	***	***	***	***	***	***	***	***	***	***	***	***	***	***	***	***	***	***
M2	*	*	*	*	*	*	*	***	*	***	*	***	***	***	***	***	***	***	***	***	***	***	***	***
M2.5	***	*	*	*	*	*	*	***	*	***	*	***	*	***	***	***	***	***	***	***	***	***	***	***
M3	***	*	*	*	*	*	*	*	*	***	*	***	*	*	*	*	*	*	***	***	***	***	***	***
M3.5	***	***	***	*	***	*	***	***	***	***	***	***	***	***	***	***	***	***	***	***	***	***	***	***
M4	***	***	*	*	*	*	*	*	*	*	*	*	*	*	*	*	*	*	***	*	*	*	***	***
M5	***	***	***	*	*	*	*	*	*	***	*	***	*	*	*	*	*	*	***	*	*	*	*	*
M6	***	***	***	***	*	*	*	***	*	***	*	***	*	*	*	*	*	*	***	*	*	*	*	*
M8	***	***	***	***	***	***	*	***	*	***	*	***	*	*	*	*	*	*	***	*	*	*	*	*



Continued from previous page...

Series: 10703 Type: - DIN 7985 Z



Machine Screws are round bodied, metric threaded fasteners that can be used either with a nut or with a pre-tapped hole in metal applications.

Material/Finish/Code:

Steel - Zinc Clear - 60Stainless Steel A2 - Self Colour - SSStainless Steel A4 -Self Colour - A4

To get the part number replace ** with the length found in the tables below followed by the finish code:

All information is given for guidance only and designers should satisfy themselves as to the suitability of the specification by requesting samples