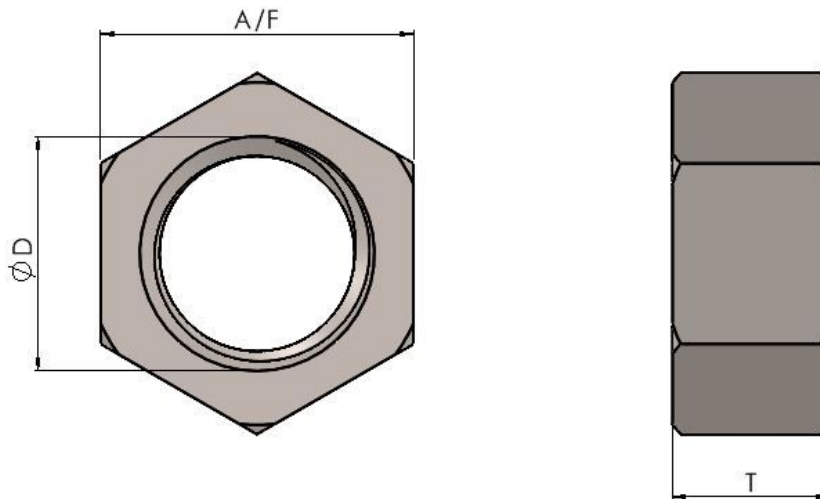




Series: 10401 Type: - DIN 934



Hexagon Full Nuts

Part No.	Thread (D)	A/F	T
10401 M2	M2	4	1.6
10401 M2.5	M2.5	5	2
10401 M3	M3	5.5	2.4
10401 M3.5	M3.5	6	2.8
10401 M4	M4	7	3.2
10401 M5	M5	8	4
10401 M6	M6	10	5
10401 M7	M7	11	5.5
10401 M8	M8	13	6.5
10401 M10	M10	17	8
10401 M12	M12	19	10
10401 M14	M14	22	11
10401 M16	M16	24	13
10401 M18	M18	27	15
10401 M20	M20	30	16

Material/Finish/Code:

Grade 8 Steel - Zinc Clear - 60Stainless Steel A2 - Self Colour - SSStainless Steel A4 -Self Colour - A4

Part Number ID:

Part No/Thread/FinishEg: 10401 M2 60: M2 Full Nut Zinc Clear

All information is given for guidance only and designers should satisfy themselves as to the suitability of the specification by requesting samples