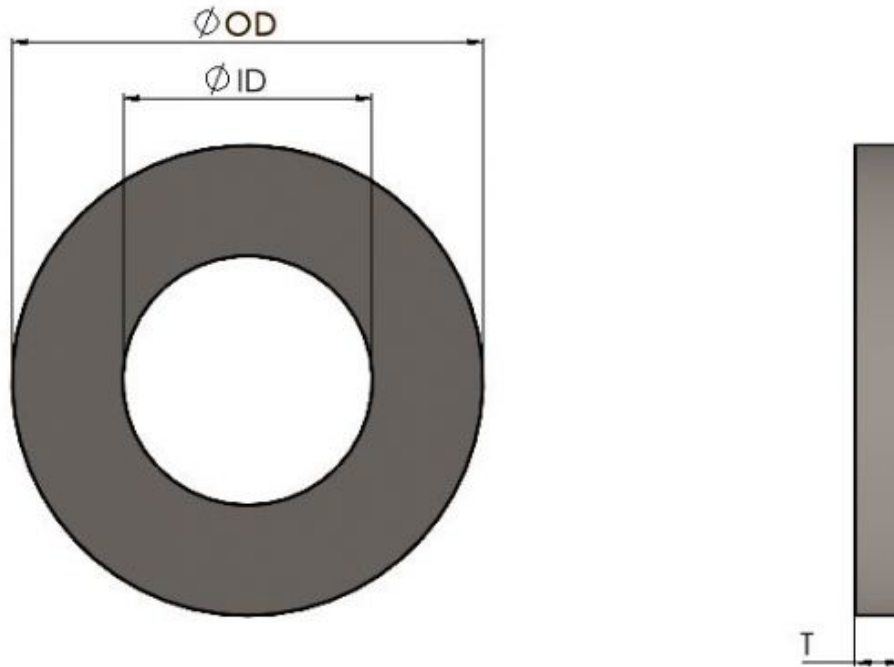




Series: 10501 Type: - DIN 125



Form A Flat Washer

| Part No. | Thread Type | OD | ID | T |
|-----------|-------------|-------|-------|------|
| 10501 M2 | M2 | 5.00 | 2.20 | 0.30 |
| 10501 M25 | M2.5 | 6.00 | 2.70 | 0.50 |
| 10501 M3 | M3 | 7.00 | 3.20 | 0.50 |
| 10501 M35 | M3.5 | 8.00 | 3.70 | 0.50 |
| 10501 M4 | M4 | 9.00 | 4.30 | 0.80 |
| 10501 M5 | M5 | 10.00 | 5.30 | 1.00 |
| 10501 M6 | M6 | 12.00 | 6.40 | 1.60 |
| 10501 M7 | M7 | 14.00 | 7.40 | 1.60 |
| 10501 M8 | M8 | 16.00 | 8.40 | 1.60 |
| 10501 M10 | M10 | 20.00 | 10.50 | 2.00 |
| 10501 M12 | M12 | 24.00 | 13.00 | 2.50 |
| 10501 M14 | M14 | 28.00 | 15.00 | 2.50 |
| 10501 M16 | M16 | 30.00 | 17.00 | 3.00 |
| 10501 M18 | M18 | 34.00 | 19.00 | 3.00 |
| 10501 M20 | M20 | 37.00 | 21.00 | 3.00 |

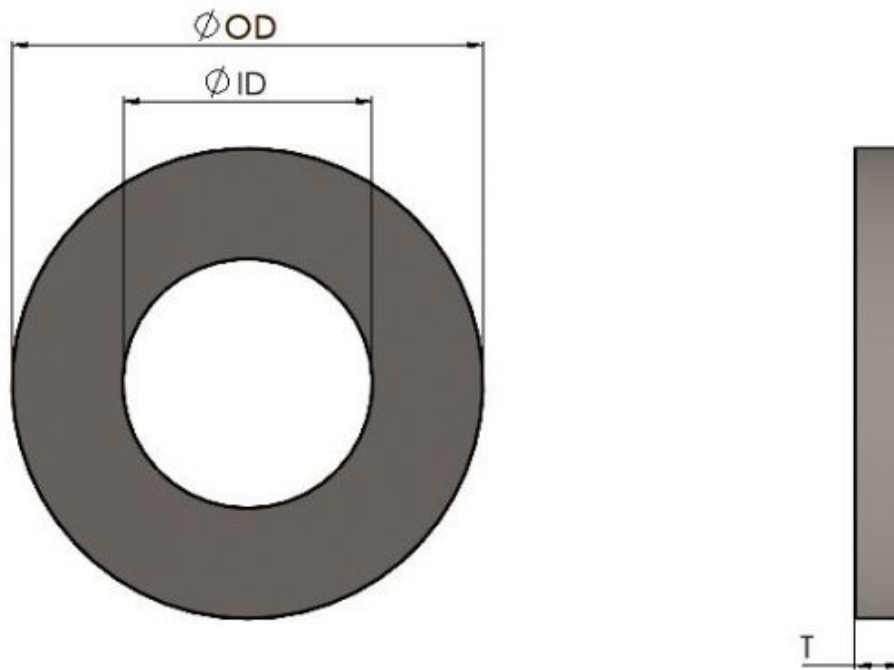
Standard form A washers to DIN 125

All information is given for guidance only and designers should satisfy themselves as to the suitability of the specification by requesting samples



Continued from previous page...

Series: 10501 Type: - DIN 125



Material/Finish:
Mild Steel - Zinc Clear
Stainless Steel (A2, A4) - Self Colour

All information is given for guidance only and designers should satisfy themselves as to the suitability of the specification by requesting samples