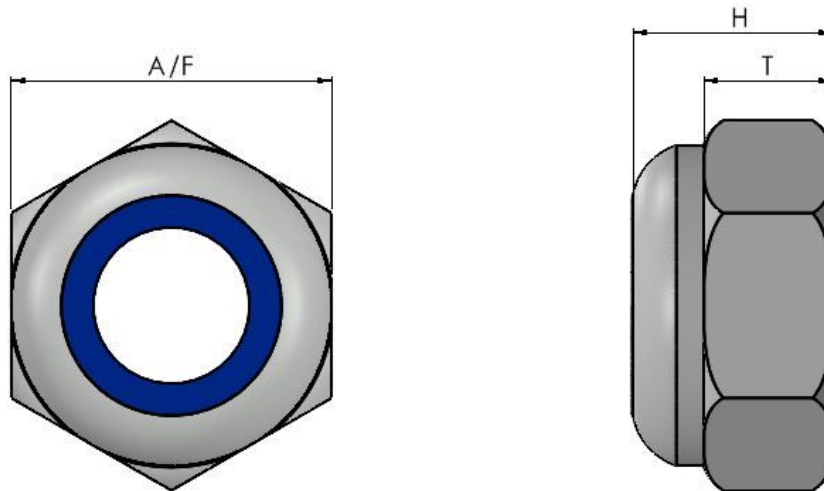




Series: 10405 Type: - DIN 985



Hexagon Nylon Insert Thin Lock Nut

Part No.	Thread (D)	A/F	H	T
10405 M2	M2	4.5	2.5	1.6
10405 M2.5	M2.5	5	3.8	2
10405 M3	M3	5.5	4	2.4
10405 M3.5	M3.5	6	4.5	2.6
10405 M4	M4	7	5	2.9
10405 M5	M5	8	5	3.2
10405 M6	M6	10	6	4
10405 M7	M7	11	7.5	4.7
10405 M8	M8	13	8	5.5
10405 M10	M10	17	10	6.5
10405 M12	M12	19	12	8
10405 M14	M14	22	14	9.5
10405 M16	M16	24	16	10.5
10405 M18	M18	27	18.5	13
10405 M20	M20	30	20	14

Material/Finish/Code:

Grade 8 Steel - Zinc Clear - 60Stainless Steel A2 - Self Colour - SSStainless Steel A4 -Self Colour - A4

Part Number ID:

Part No/Thread/FinishEg: 10405 M2 60: M2 Nylock Nut Thin Zinc Clear