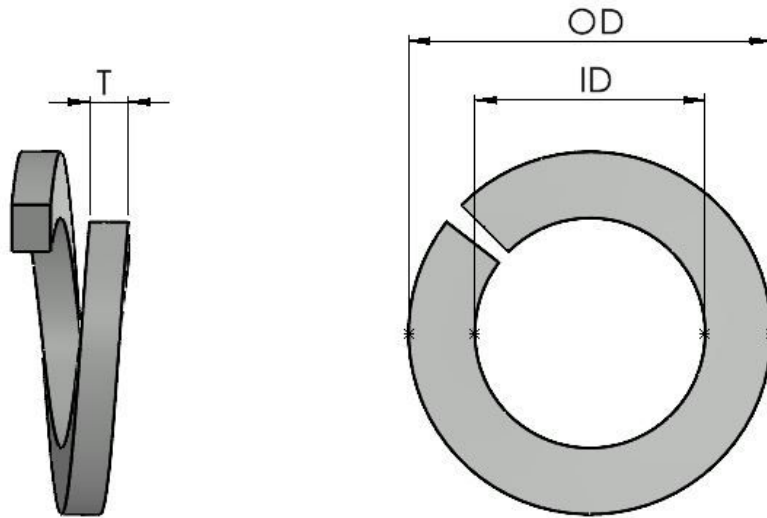




Series: 10506 Type: - DIN 127B



Single Coil Rectangular Spring Washer

Part No.	Thread Type	OD	ID	T
10506 M2	M2	4.40	2.10	0.50
10506 M25	M2.5	5.10	2.60	0.60
10506 M3	M3	6.20	3.10	0.80
10506 M35	M3.5	6.70	3.60	0.80
10506 M4	M4	7.60	4.10	0.90
10506 M5	M5	9.20	5.10	1.20
10506 M6	M6	11.80	6.10	1.60
10506 M7	M7	12.80	7.10	1.60
10506 M8	M8	14.80	8.10	2.00
10506 M10	M10	18.10	10.20	2.20
10506 M12	M12	21.10	12.20	2.50
10506 M14	M14	24.10	14.20	3.00
10506 M16	M16	27.40	16.20	3.50
10506 M18	M18	29.40	18.20	3.50
10506 M20	M20	33.60	20.20	4.00

Standard rectangular single coil spring washer to DIN127B

Material/Finish:

Mild Steel - Zinc Clear

Stainless Steel (A2, A4) - Self Colour

All information is given for guidance only and designers should satisfy themselves as to the suitability of the specification by requesting samples