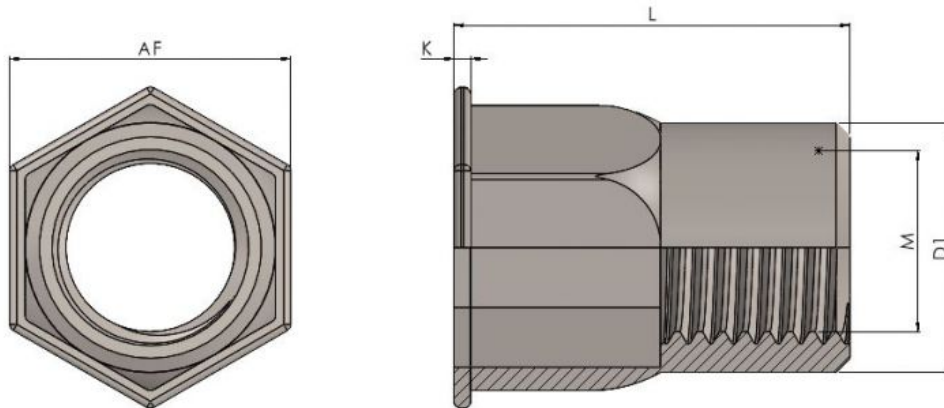




Series: 30204 Type: RHHI Steel



## Rivet Nut Reduced Head Half Hex Body (Imperial Hole)

| Part No | Thread M | Grip Range | Hole Size AF | D1   | AF   | K   | L    |
|---------|----------|------------|--------------|------|------|-----|------|
| RHHI04  | M4       | 0.5-2.0    | 6.4          | 6.35 | 7.0  | 0.4 | 10.4 |
| RHHI05  | M5       | 0.5-3.0    | 7.2          | 7.1  | 8.1  | 0.5 | 12.0 |
| RHHI06  | M6       | 0.5-3.0    | 9.6          | 9.5  | 10.5 | 0.5 | 14.5 |
| RHHI08  | M8       | 0.7-3.2    | 10.7         | 10.5 | 11.5 | 0.6 | 16.0 |

Half Hex Rivet Nuts combine excellent torque resistance and fast assembly due to the round front end which eliminates the need to orientate the hex flats. The reduced head provides an almost flush surface in a punched hole.

Materials and Finishes (Code):  
 Steel, Trivalent Zinc (60)

**All information is given for guidance only and designers should satisfy themselves as to the suitability of the specification by requesting samples**