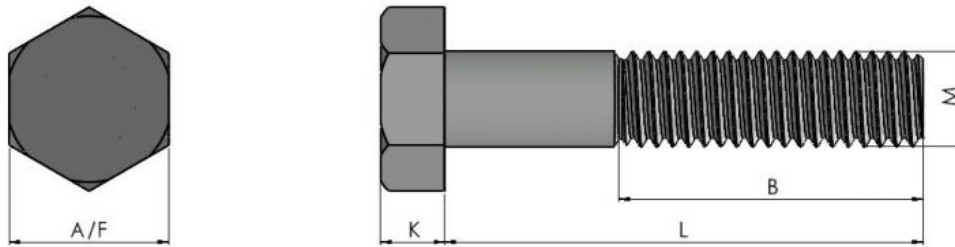




Series: 10101 Type: - DIN 931, 8.8



### Hex Bolts Grade 8.8

Part No.	Thread	K	B (L<125)	B (L:125-200)	B (L>200)	A/F
10101 M04**	M4	2.80	14.00	N/A	N/A	7.00
10101 M05**	M5	3.50	16.00	N/A	N/A	8.00
10101 M06**	M6	4.00	18.00	24.00	N/A	10.00
10101 M08**	M8	5.30	22.00	28.00	N/A	13.00
10101 M10**	M10	6.40	26.00	32.00	45.00	17.00
10101 M12**	M12	7.50	30.00	36.00	49.00	19.00
10101 M14**	M14	8.80	34.00	40.00	53.00	22.00
10101 M16**	M16	10.00	38.00	44.00	57.00	24.00
10101 M18**	M18	11.50	42.00	48.00	61.00	27.00
10101 M20**	M20	12.50	46.00	52.00	65.00	30.00
10101 M22**	M22	14.00	50.00	56.00	69.00	32.00
10101 M24**	M24	15.00	54.00	60.00	73.00	36.00
10101 M27**	M27	17.00	60.00	66.00	79.00	41.00
10101 M30**	M30	18.70	66.00	72.00	85.00	46.00

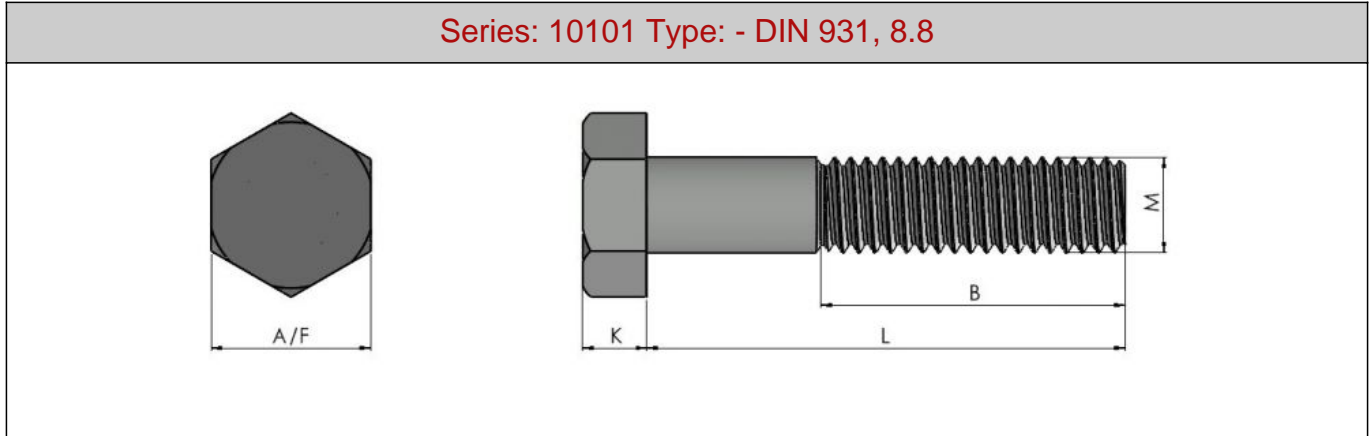
Legend	
*	Usually Available from Stock
**	Non-preferred (Possible Lead Times)
***	Special Order Only

Thread/Length	2	3	3	4	4	5	5	6	6	7	7	8	8	9	9	10	11	12	13	14	15	16	17	18	19	20	22	23	24	25	26	28	30
	5	0	5	0	5	0	5	0	5	0	5	0	5	0	5	0	0	0	0	0	0	0	0	0	0	0	0	0	0	0	0	0	0
M4	*	*	*	*	*	*	*	*	*	*	*	*	*	*	*	*	***	***	***	***	***	***	***	***	***	***	***	***	***	***	***	***	***
M5	*	*	*	*	*	*	*	*	*	*	*	*	*	*	*	*	*	***	***	***	***	***	***	***	***	***	***	***	***	***	***	***	***
M6	*	*	*	*	*	*	*	*	*	*	*	*	*	*	*	*	*	*	*	*	*	*	*	*	*	*	*	*	*	*	*	*	*

All information is given for guidance only and designers should satisfy themselves as to the suitability of the specification by requesting samples



Continued from previous page...



\*

M8	*
----	---

*	*	*	*	***	***	***	***	***	***	***	***	***	***	***	***	***	***	***	***
---	---	---	---	-----	-----	-----	-----	-----	-----	-----	-----	-----	-----	-----	-----	-----	-----	-----	-----



