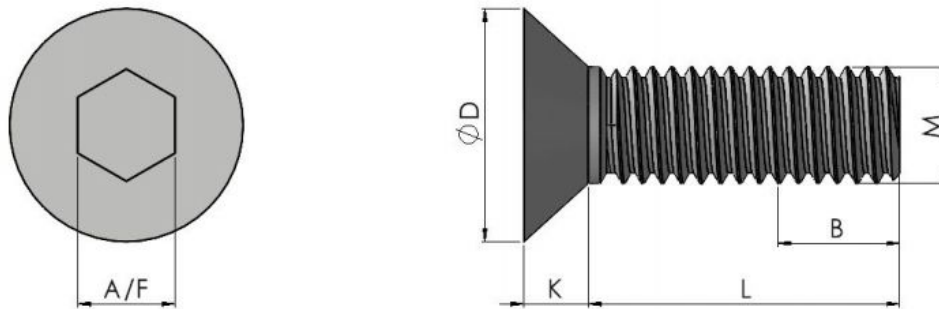




Series: 11703 Type: - DIN 7991



Hexagon Socket Countersunk Head 8.8

Part No.	Thread	K	B When (L>B)	D	A/F
11703 M03**	M3	1.70	12.00	6.00	2.00
11703 M04**	M4	2.30	14.00	8.00	2.50
11703 M05**	M5	2.80	16.00	10.00	3.00
11703 M06**	M6	3.30	18.00	12.00	4.00
11703 M08**	M8	4.40	22.00	16.00	5.00
11703 M10**	M10	5.50	26.00	20.00	6.00
11703 M12**	M12	6.50	30.00	24.00	8.00
11703 M16**	M16	7.50	38.00	30.00	10.00
11703 M20**	M20	8.50	46.00	36.00	12.00

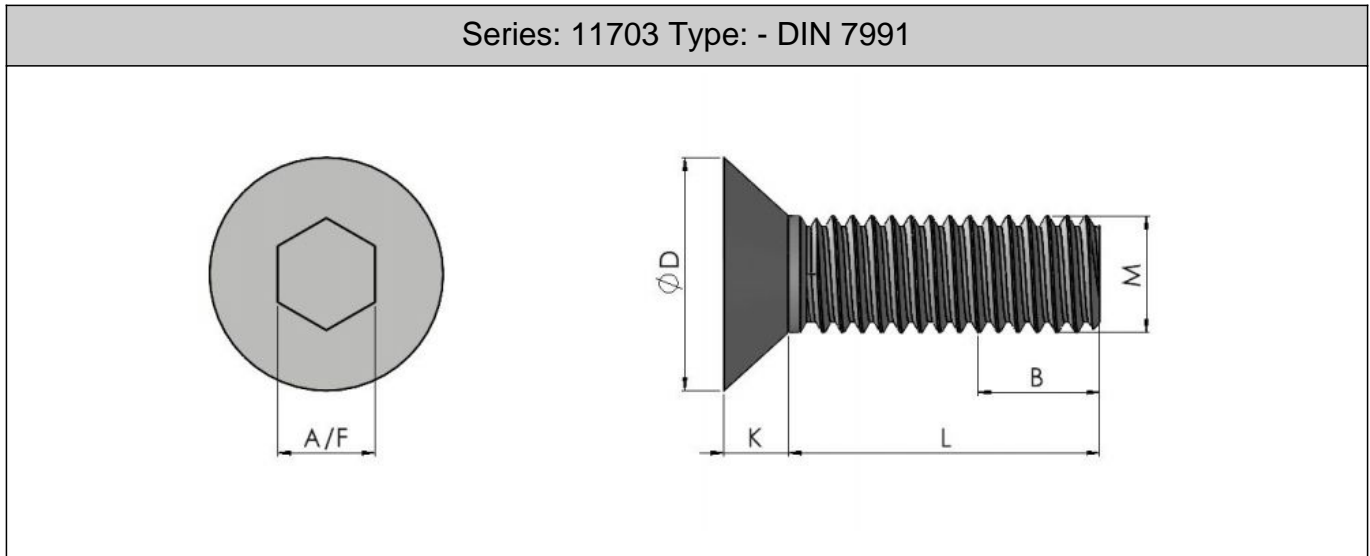
Legend	
*	Usually Available from Stock
**	Non-preferred (Possible Lead Times)
***	Special Order Only

Thread/Length	6	8	10	12	16	18	20	25	30	35	40	45	50	55	60	70	80	90	100	110	120
M3	***	*	*	*	*	***	*	***	***	***	***	***	***	***	***	***	***	***	***	***	***
M4	*	*	*	*	*	***	*	*	*	*	*	***	***	***	***	***	***	***	***	***	***
M5	***	*	*	*	*	***	*	*	*	*	*	***	***	***	***	***	***	***	***	***	***
M6	***	***	***	*	*	***	*	*	*	*	*	***	*	***	*	***	***	***	***	***	***
M8	***	***	*	*	*	*	*	*	*	*	*	*	*	***	*	*	***	***	***	***	***
M10	***	***	***	***	*	***	*	*	*	*	*	*	*	***	*	*	*	*	*	***	***
M12	***	***	***	***	***	***	*	*	*	*	*	*	*	*	*	*	*	*	*	*	*
M16	***	***	***	***	***	***	***	***	*	*	*	*	*	*	*	*	*	*	***	***	***

All information is given for guidance only and designers should satisfy themselves as to the suitability of the specification by requesting samples



Continued from previous page...



M20	***	***	***	***	***	***	***	***	***	***	***	***	***	*	***	*	*	*	***	***	***	***
-----	-----	-----	-----	-----	-----	-----	-----	-----	-----	-----	-----	-----	-----	---	-----	---	---	---	-----	-----	-----	-----

Material/Finish/Finish Code:

Steel - Self Colour - 00Steel - Zinc Plated - 60Stainless Steel A2 - Self Colour - SSStainless Steel A4 - Self Colour - A4

Part Number ID:

Part No/Thread Length/grade/Finish CodeEg: 11703 M0616 60: M6 x 16 Zinc Clear 8.8

All information is given for guidance only and designers should satisfy themselves as to the suitability of the specification by requesting samples