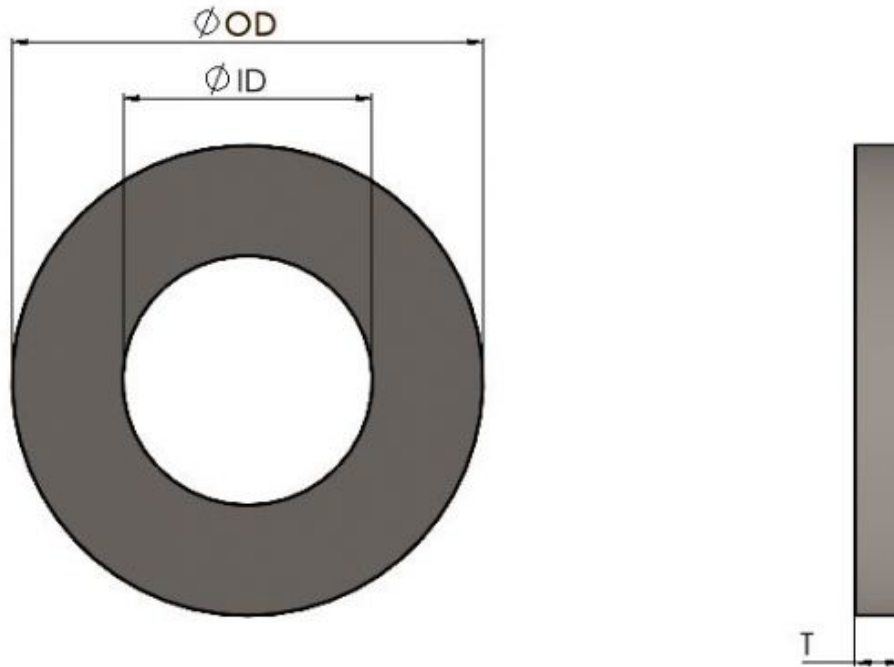




Series: 10503 Type: DIN 125

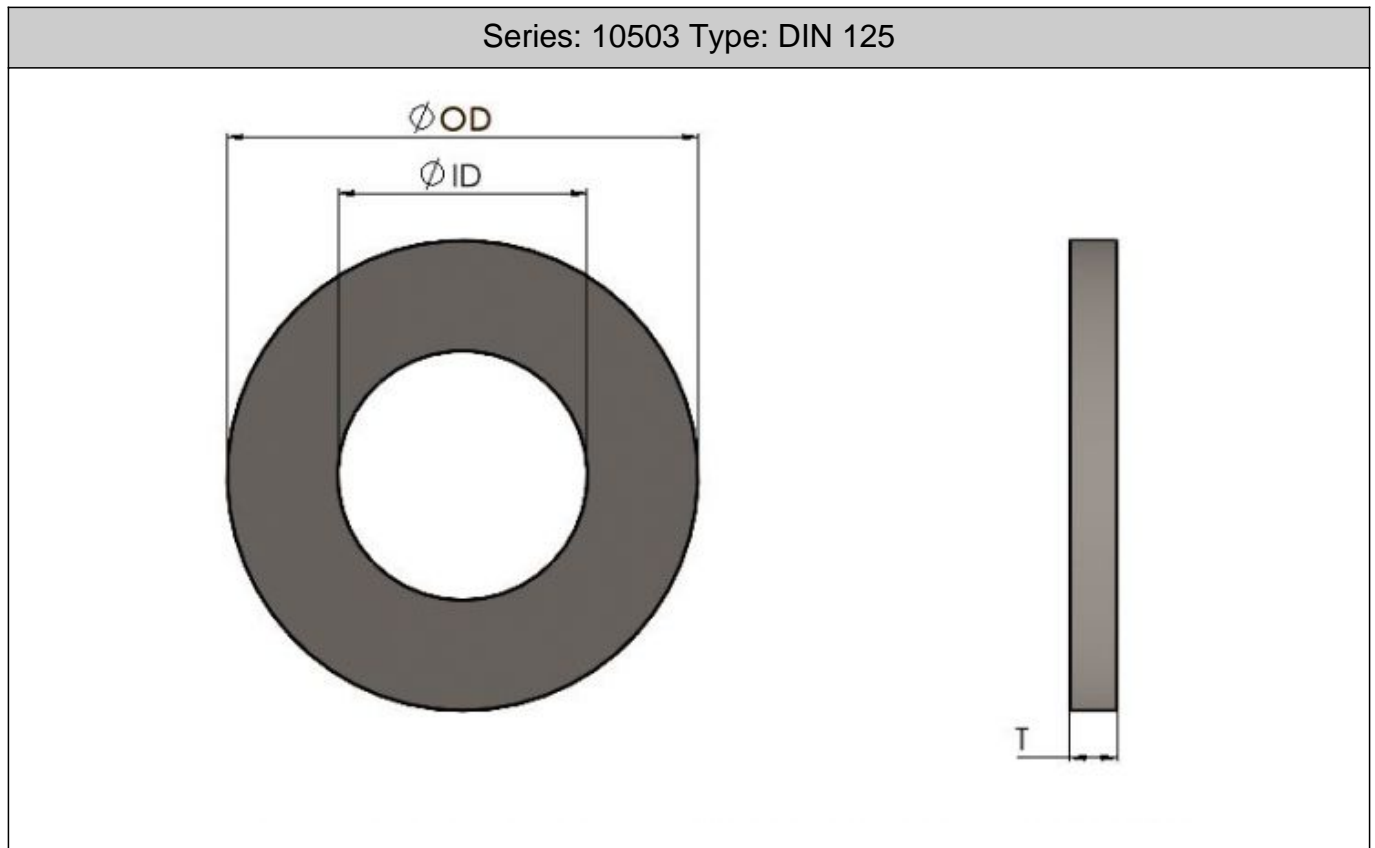


## Form B Flat Washer

Part No.	Thread Type	OD	ID	T
10503 M5	M5	10.00	5.30	0.80
10503 M6	M6	12.50	6.40	0.90
10503 M8	M8	17.00	8.40	1.10
10503 M10	M10	21.00	10.50	1.45
10503 M12	M12	24.00	13.00	1.80
10503 M14	M14	28.00	15.00	1.80
10503 M16	M16	30.00	17.00	2.20
10503 M18	M18	34.00	19.00	2.20
10503 M20	M20	37.00	21.00	2.20
10503 M22	M22	39.00	23.00	2.20
10503 M24	M24	44.00	25.00	2.70
10503 M27	M27	50.00	28.00	2.70
10503 M30	M30	56.00	31.00	2.70
10503 M33	M33	60.00	34.00	3.30
10503 M36	M36	66.00	37.00	3.30
10503 M39	M39	72.00	40.00	3.30



Continued from previous page...



Standard form B washers to DIN 125

Material/Finish:

Mild Steel - Zinc Clear

Stainless Steel (A2, A4) - Self Colour

---

**All information is given for guidance only and designers should satisfy themselves as to the suitability of the specification by requesting samples**