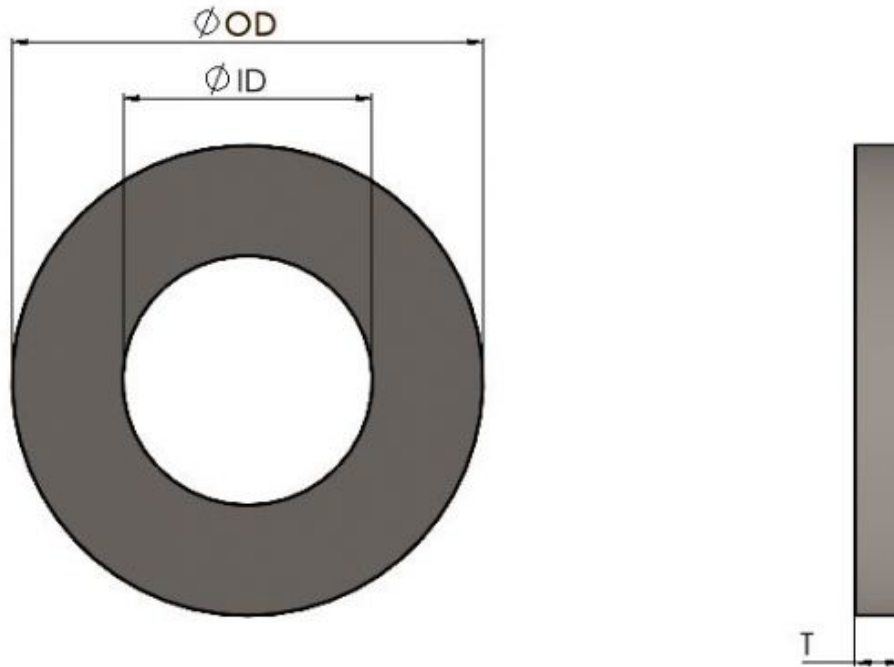




Series: 10502 Type: DIN 125

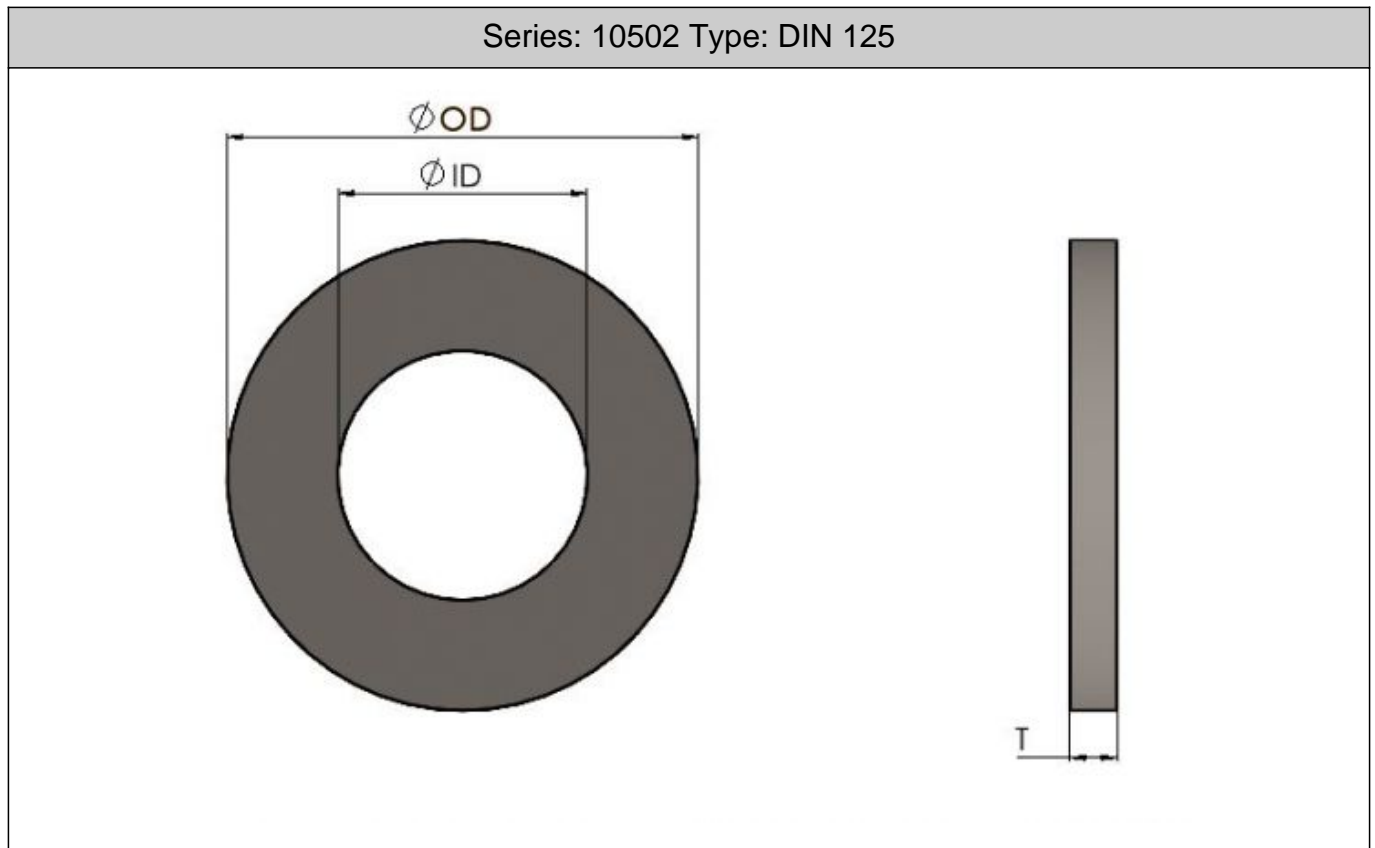


Form C Flat Washer

Part No.	Thread Type	OD	ID	T
10502 M4	M4	10.00	4.30	0.80
10502 M5	M5	12.50	5.30	1.00
10502 M6	M6	14.00	6.40	1.60
10502 M7	M7	17.00	7.40	1.60
10502 M8	M8	21.00	8.40	1.60
10502 M10	M10	24.00	10.50	2.00
10502 M12	M12	28.00	13.00	2.50
10502 M14	M14	30.00	15.00	2.50
10502 M16	M16	34.00	17.00	3.00
10502 M20	M20	39.00	21.00	3.00
10502 M22	M22	44.00	23.00	3.00
10502 M24	M24	50.00	25.00	4.00
10502 M30	M30	60.00	31.00	4.00
10502 M33	M33	66.00	34.00	5.00
10502 M36	M36	72.00	37.00	5.00
10502 M39	M39	77.00	40.00	6.00



Continued from previous page...



Standard form C washers to DIN 125

Material/Finish:

Mild Steel - Zinc Clear

Stainless Steel (A2, A4) - Self Colour

All information is given for guidance only and designers should satisfy themselves as to the suitability of the specification by requesting samples