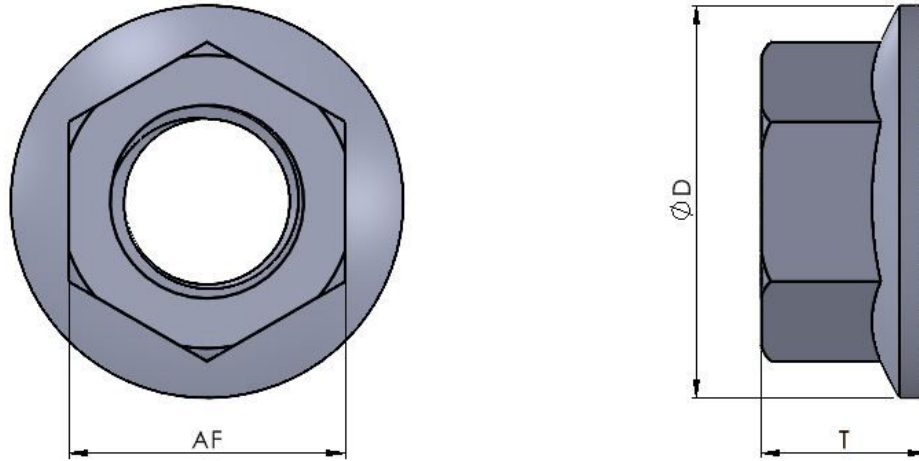




Series: 10412 Type: - DIN 6923



## Hexagon Serrated Flange Nut

Part No.	Thread (D)	A/F	T	D
10412 M03	M3	5.5	3.7	8
10412 M04	M4	7	4.5	10
10412 M05	M5	8	4.6	11.8
10412 M06	M6	10	6	14.2
10412 M08	M8	13	8	17.9
10412 M10	M10	15	10	21.8
10412 M12	M12	18	12	26
10412 M14	M14	21	14	29.9
10412 M16	M16	24	16	34.5
10412 M20	M20	30	20	42.8

**Material/Finish/Code:**

Grade 8 Steel - Zinc Clear - 60Stainless Steel A2 - Self Colour - SSStainless Steel A4 -Self Colour - A4

**Part Number ID:**

Part No/Thread/FinishEg: 10412 M03 60: M3 Full Nut Zinc Clear

**All information is given for guidance only and designers should satisfy themselves as to the suitability of the specification by requesting samples**