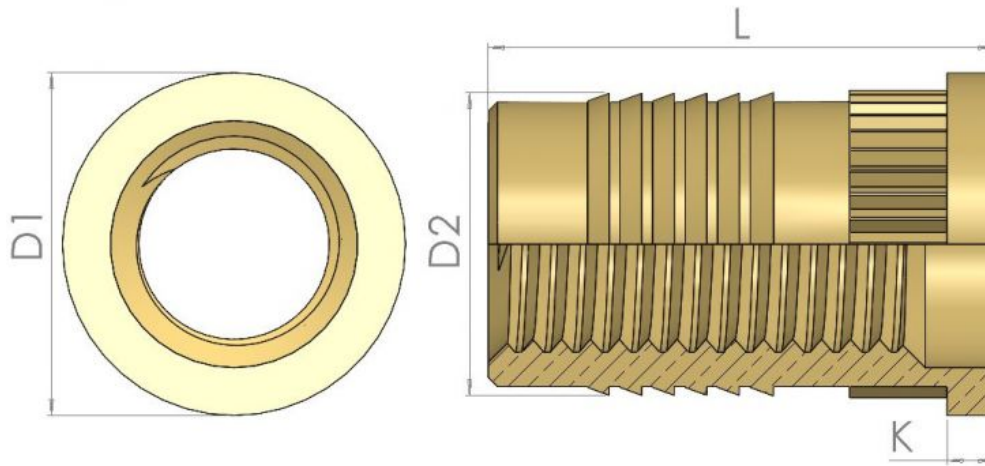




Series: 20103 Type: HFL



### Heatstake / Press In Insert

Part No.	Thread	D1	D2	L	K	Hole	Min Wall
HFL020H044	M2	4.8	3.7	4.4	0.45	3.2	1.6
HFL025H053	M2.5	5.5	4.5	5.3	0.58	4.0	2.0
HFL030H053	M3	5.5	4.5	5.3	0.58	4.0	2.0
HFL035H071	M3.5	6.4	5.3	7.1	0.74	4.8	2.4
HFL040H088	M4	7.1	6.1	8.8	0.89	5.6	2.8
HFL050H106	M5	7.9	7.0	10.6	1.07	6.4	3.2
HFL060H140	M6	9.5	8.6	14.0	1.32	8.0	4.0
HFL080H140	M8	11.1	10.2	14.0	1.32	9.6	4.8

The HFL range of inserts are designed for cold press fitting into thermoplastic. The combination of knurls and ribs on the body provide high torque and pull out performance. The headed HFL increases jack-out and pull through performance

**All information is given for guidance only and designers should satisfy themselves as to the suitability of the specification by requesting samples**